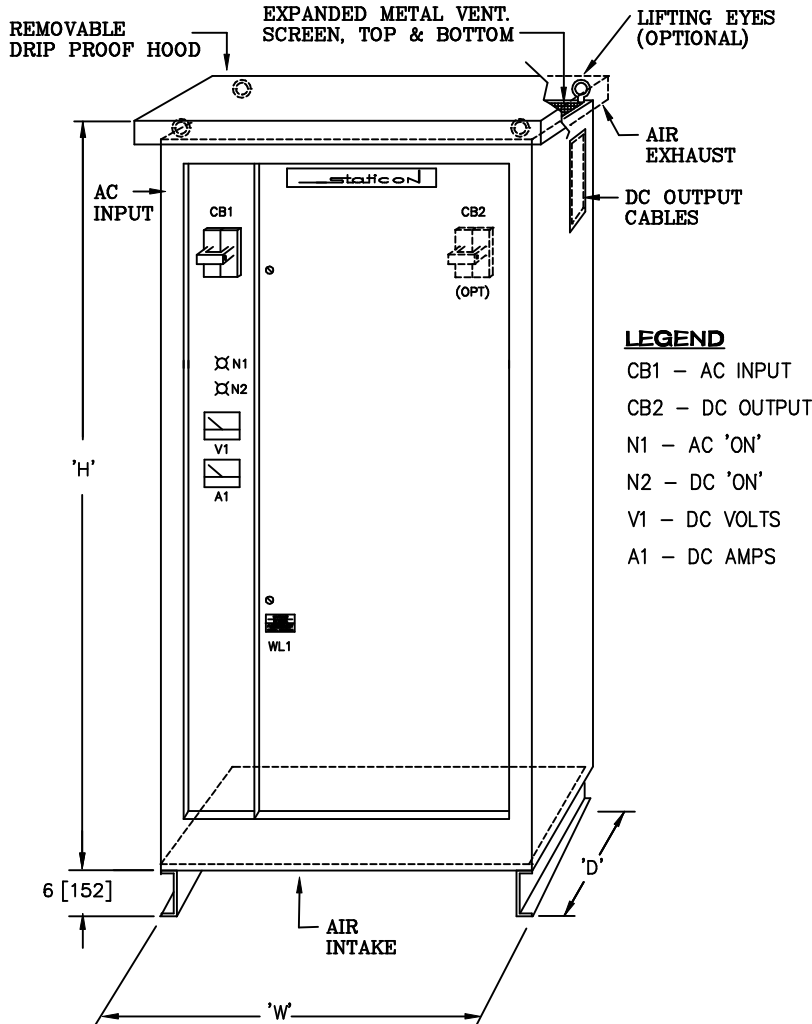


# DC-TRACTION TYPE POWER RECTIFIERS

FOR MINES, CRANES, ELEVATORS, DC-SHOP SUPPLIES

TIME PROVEN, CSA-APPROVED, BUILT TO UL, NEMA, ASA, IEC RECOMMENDATIONS



### ELECTRICAL PERFORMANCE:

- 125% 1 HOUR ASA I OVERLOAD.
- 95%-97% EFFICIENCY - 0.9-0.95 P.F.
- CONVECTION COOLED RELIABILITY.
- LOW, 55-65 dbA AUDIBLE NOISE.
- DIODES O/L-COORDINATE WITH HIGH IC BREAKER (NO FUSES REQUIRED).
- AC INPUT HAS  $\pm 5\%$ ,  $\pm 2.5\%$ -ADJ. TAPS.
- MEETS CSA/UL CONDUCTIVE EMI.
- DC-VOLT/AMMETER & STATUS/ALARM LIGHTS.

### MECHANICAL FEATURES:

- HEAVY DUTY NEMA 2 ENCLOSURE.
- DESIGN FOR MAINTENANCE THROUGH FRONT DOOR.
- FINISH: ASA 61 GREY.
- 6" OFF FLOOR MTG. ENCLOSURE.

### OPTIONAL FEATURES:

- DC FILTER SURGE SUPPRESSOR.
- ~10% REGEN POWER SUPPRESSOR WITH RESISTOR LOAD BANK.
- 50hz, 380-416V DESIGN.
- 12 PULSE, LOW THD, DESIGN.
- DC OUTPUT BREAKER.
- DC CT TRANSDUCER METERING FOR REMOTE MONITORING (0-10V).
- OTHER AC/DC VOLT & kW RATINGS.
- 4000 METER ALTITUDE DESIGNS.

### STANDARD 125 & 250VDC RATINGS

KW DC	DIMENSIONS INCHES [MM]			APPROX. WEIGHT kg (LBS)
	'H'	'W'	'D'	
50	72 [1829]	30 [762]	24 [610]	364 (800)
75	72 [1829]	30 [762]	24 [610]	455 (1000)
100	78 [1981]	30 [762]	24 [610]	545 (1200)
125	78 [1981]	36 [914]	30 [762]	727 (1600)
150	78 [1981]	36 [914]	30 [762]	909 (2000)

### ORDER INFORMATION

- AC INPUT VOLTS, PHASE, FREQUENCY.
- UPSTREAM POWER IC.
- MIN/MAX LOAD, DC OUTPUT VOLTAGE.
- MOTOR TYPE & H.P. RATING.
- ENVIRONMENTAL CONDITIONS.  
ROOM TEMP. \_\_\_\_\_R.H. \_\_\_\_\_VENTING.
- OPTIONS: (SEE ABOVE).

**staticon** LTD. 390 TAPSCOTT RD, SCARBOROUGH ONTARIO CANADA M1B 2Y9  
TEL.(416)291-3723 FAX.(416)291-3871 E-mail: sales@staticon.ca

### OTHER STATION PRODUCTS

- FULLY I<sub>Uα</sub>-REGULATED, AUTO START STOP, MINE LOCO BATTERY CHARGER
- **STATIVOLT**® AC LINE VOLTAGE REGULATOR-CONDITIONER